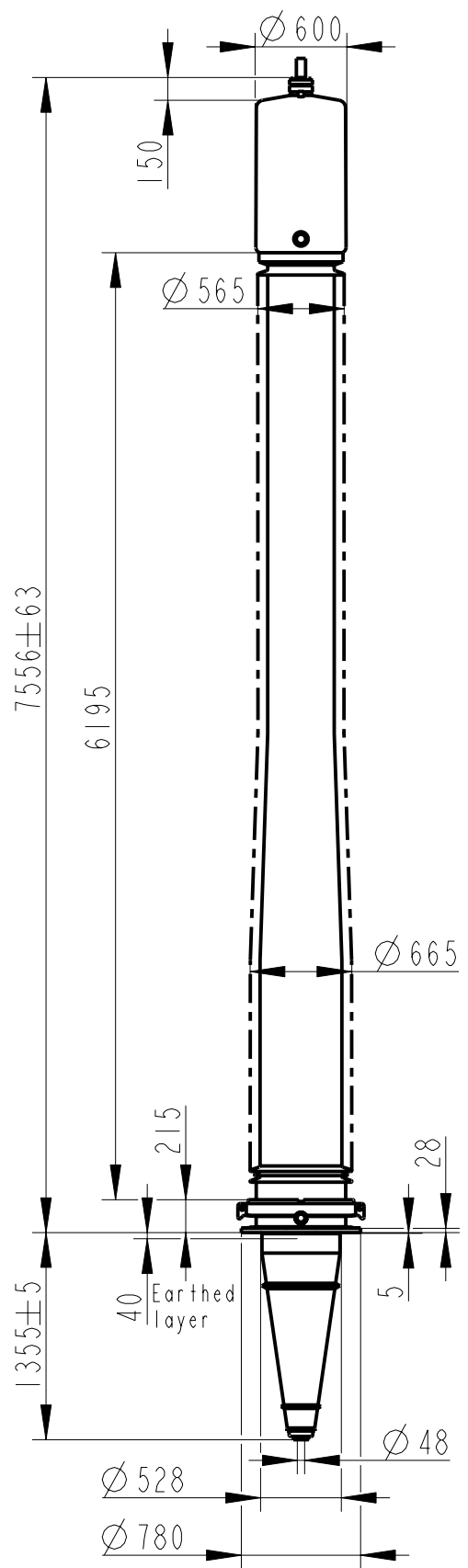


Rev	Ind	Revision	Appd	Date



### Bushing Data:

Rated Voltage	800	kV
Phase to-earth Voltage	485	kV
Dry Lightning Impulse 1,2/50µs	2550	kV
Wet Switching Impulse	1620	kV
Wet Power frequency AC	1000	kV
Routine test Imin dry 50Hz	1000	kV
Rated Current	2500	A
Creepage Distance	20000	mm
Mass	2805	kg

### Ordering Data:

**BUSHING** COLOUR AIR INSULATOR  
 LF121083 -C / -AC BROWN / LIGHT GREY

**OUTER TERMINAL**

	H2	D2
	(mm)	(mm)
LF170 073-A Al	125	60
LF170 073-B Cu	125	60
LF170 073-G Cu/Ag	125	60

OTHER TYPES ON REQUEST

**END-SHIELD**  
 LF170 046-X EPOXY INSULATED  
 LF170 046-XP INSULATED WITH 5 mm PRESSBOARD

**DRAW ROD SYSTEM**

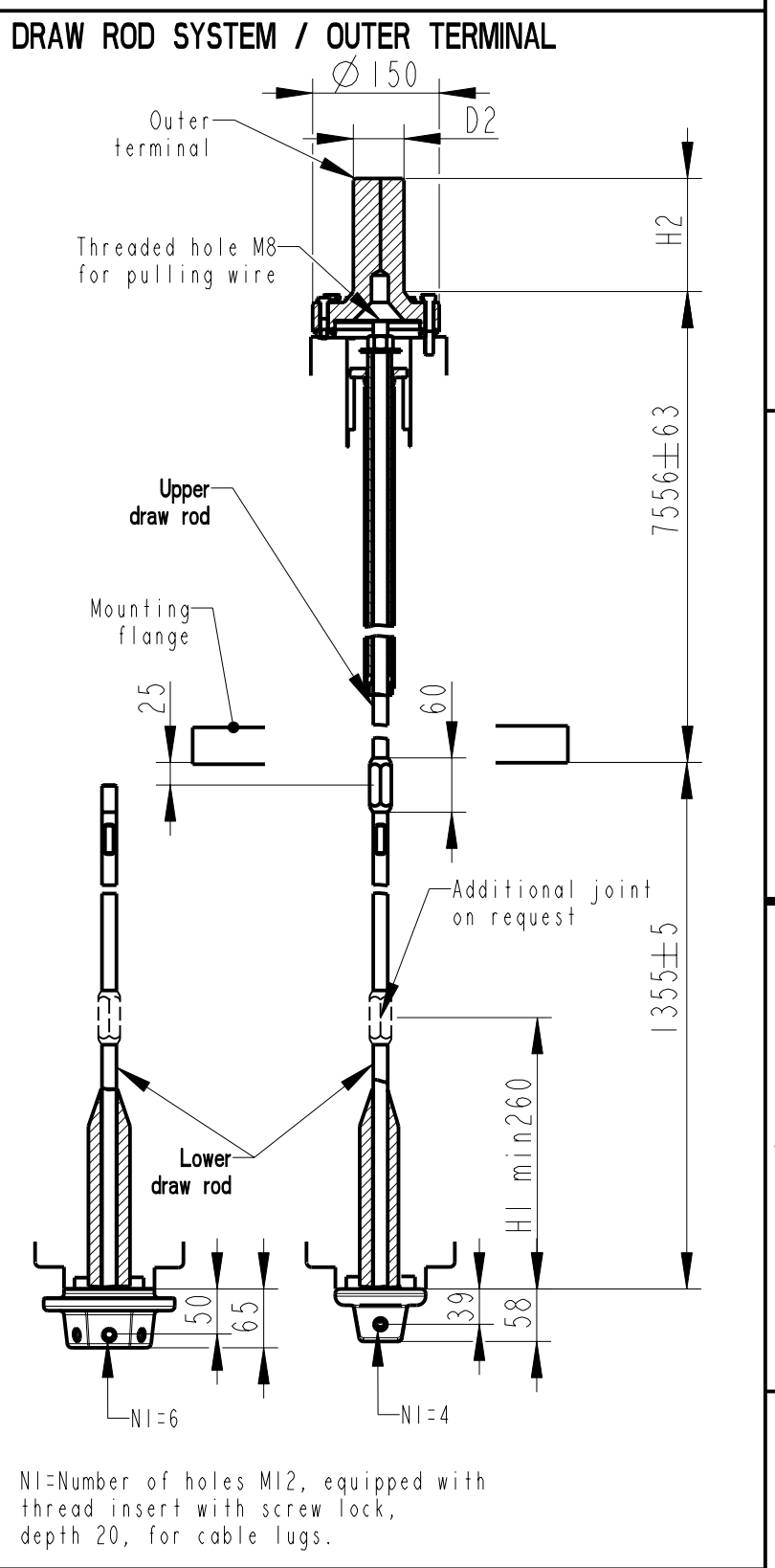
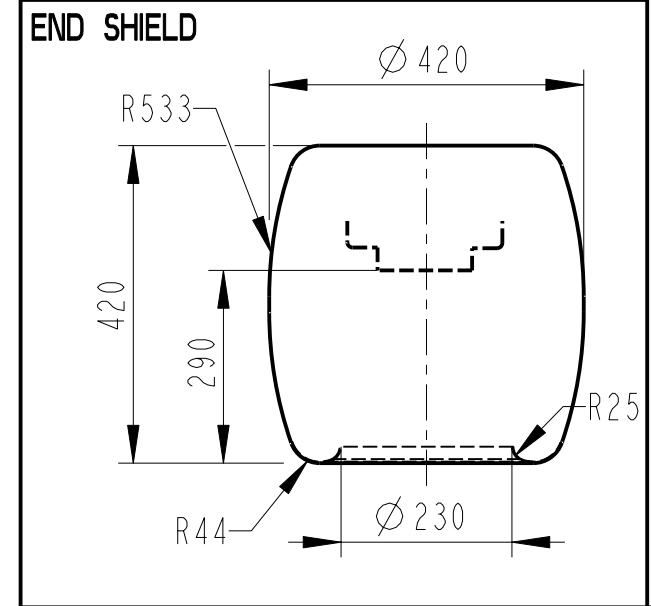
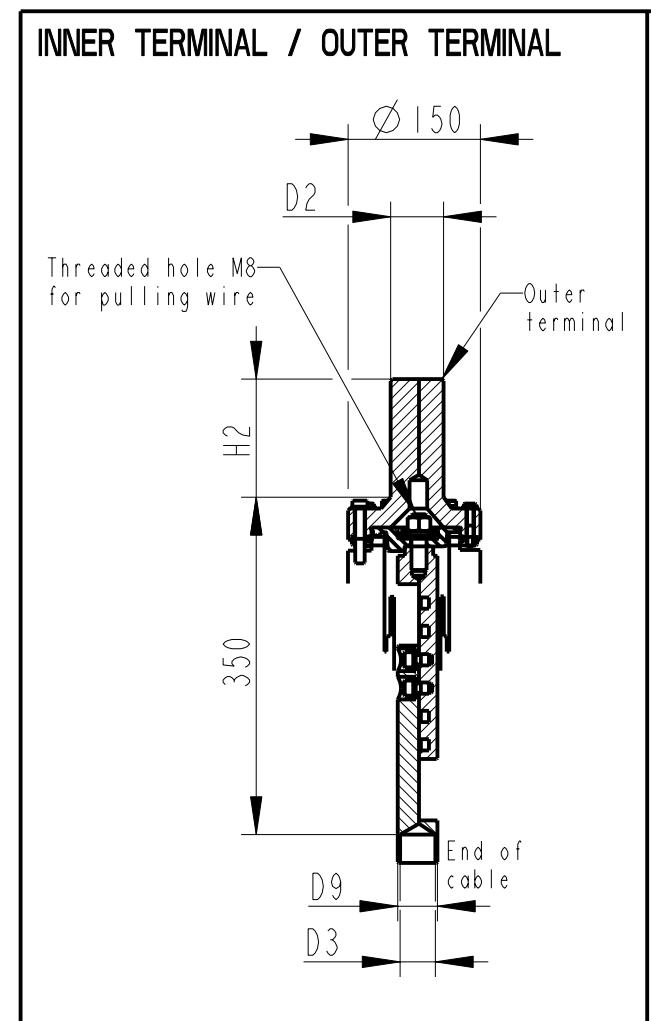
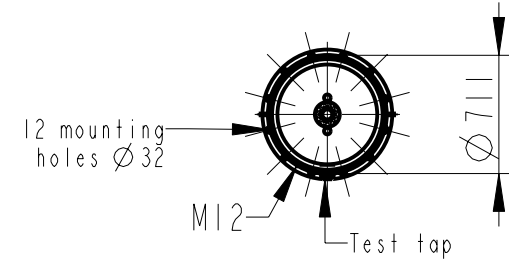
LF170 059	LOWER DRAW ROD WITH NI=4 OR NI=6
LF170 057	UPPER DRAW ROD

**INNER TERMINAL**

D3	D9	Cond.area	Current (A)	
(mm)	(mm)	(mm <sup>2</sup> )	IEC	IEEE
LF170 056-E 0*)	45	-	-	-
LF170 056-D	40	600	1600	1360

\*) WITH PILOT HOLE D=5

ABB Components		Ludvika, Sweden	
Ur-ty	Nb.	kV r	A 50-60 Hz
U	kV SI	kV AC	kV
M	kg L	mm D	
C1	pF Tanδ		
C2	pF Tanδ		



NI=Number of holes M12, equipped with thread insert with screw lock, depth 20, for cable lugs.

Based on	Reg. No.	Title	GOE-2550-1600-2500-0
Prepared Lövnord	Responsible department COM/BK 0022		
Approved Johansson	Take over department		Language 82
Design engineering review Gutman	Database		Page 1(1)
ABB ABB Components		Document No.	2751369-48

We reserve all rights in this document and in the information contained therein. Reproduction, use or disclosure to third parties without express authority is strictly forbidden. ©ABB